

1984 GRUMMAN OLSON KUBVAN

ILLUSTRATED PARTS MANUAL

BODY

Light fixtures, Instrument panel

Heater

Wipers, Electrical misc

Hood, Roof, Cab

Spring supports front

Control arm

Track beam, Floor assembly

Side Panels, doors

Spring support rear

Rear Door

Bumpers, mirrors

Seat belts, spare tire

Portions of this manual are copyrighted 1983

Volkswagen of America, Inc.

Reprinted by permission of VWoA

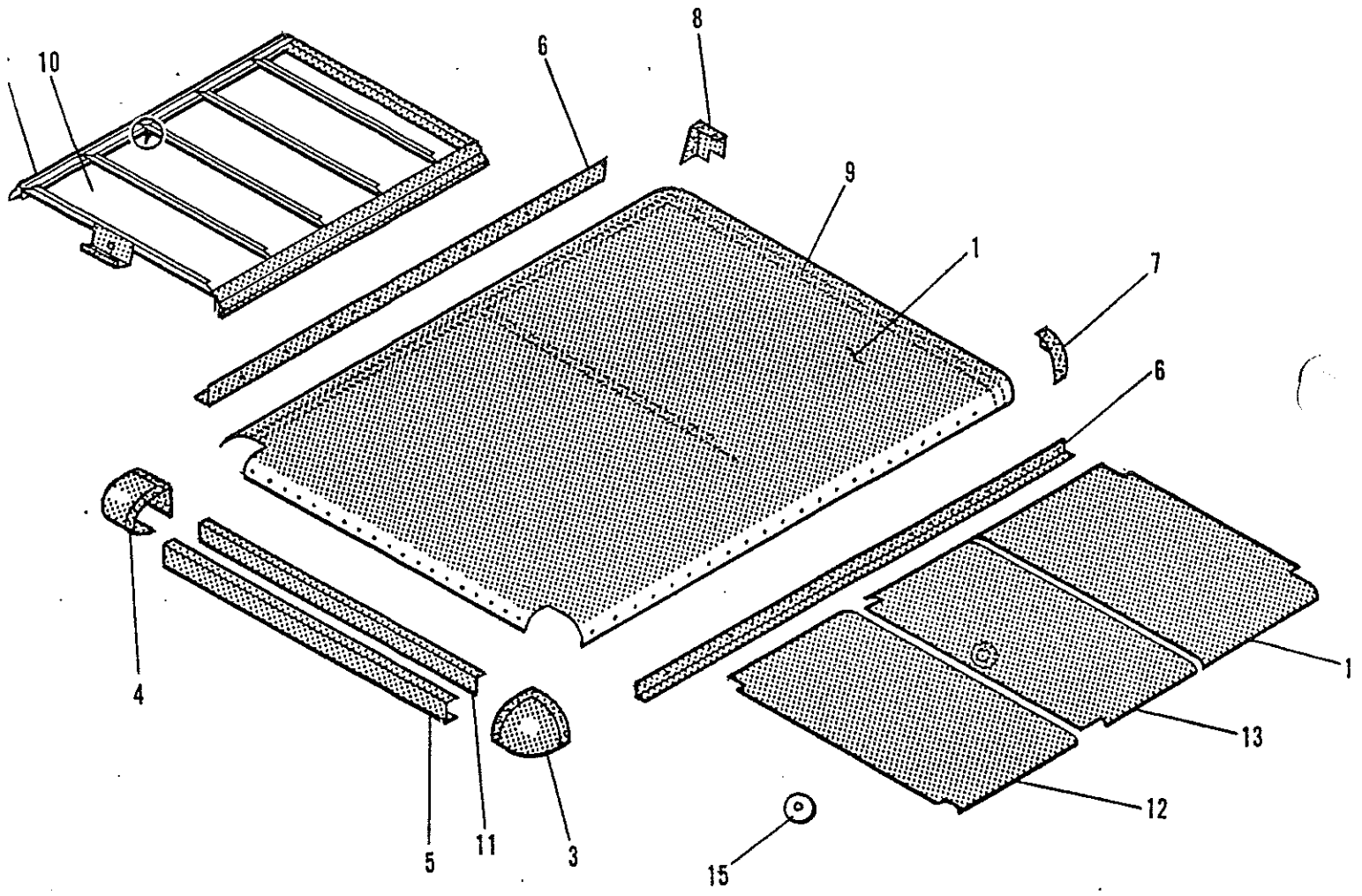
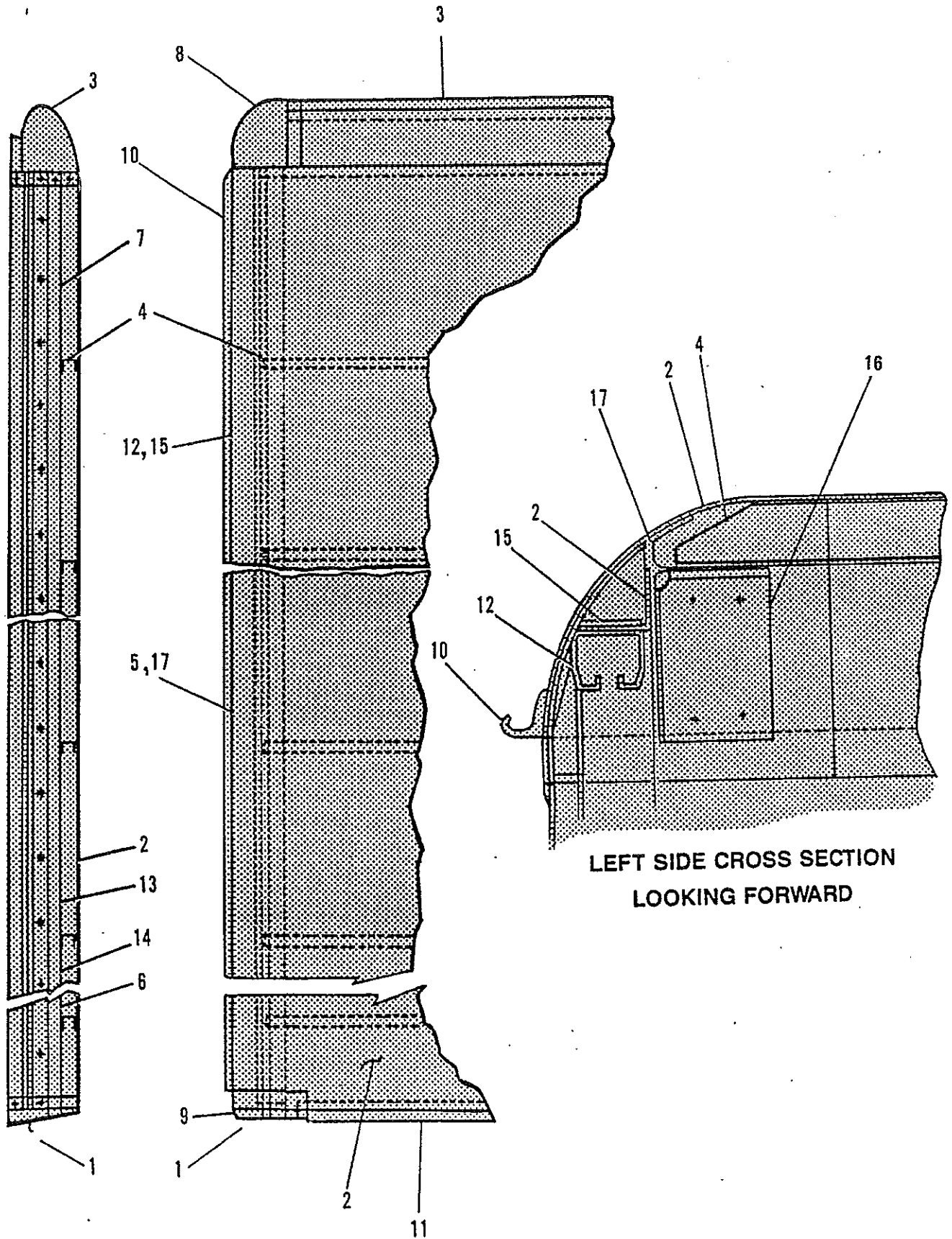


ILLUSTRATION 196

ROOF ASSEMBLY

KEY	PART NO.	DESCRIPTION	QUANTITY
1	G79210-21	ROOF SKIN	1
2	G79210-1A	ROOF LADDER SUBASSEMBLY	2
3	G79273-1	FWD CORNER CAP LH	1
4	G79273-2	FWD CORNER CAP RH	1
5	G79210-10	FWD NOSE CAP	1
6	G79210-27	DRAIN RAIL	2
7	G79270-1	AFT CORNER CAP LH	1
8	G79270-2	AFT CORNER CAP RH	1
9	G11-01757	WIRE HARNESS	1
10		INSULATION	5
11		INSULATION	1
12	G79210-4	ROOF LINER, FWD	1
13	G79210-26	ROOF LINER, MID	1
14	G79210-28	ROOF LINER, AFT	1
—	G1107274	DOUBLE-BACK TAPE	X



**LEFT SIDE CROSS SECTION
LOOKING FORWARD**

ILLUSTRATION 198

ROOF ASSEMBLY

KEY	PART NO.	DESCRIPTION	QUANTITY
1	G5300367	ROOF ASM. KN-70	1
(1)	G5300399	ROOF ASM. KN-100	1
2	G7301173	ROOF SKIN KN-70	1
(2)	G7301224	ROOF SKIN KN-100	1
3	G7301174	ROOF NOSING	1
4	G7301175	ROOF BOW	X
5	G7301176	ROOF RAIL/TRACK SUPPORT KN-70 L.S.	1
(5)	G7301178	ROOF RAIL/TRACK SUPPORT KN-70 R.S.	1
(5)	G7301179	ROOF RAIL/BOW SUPPORT R.S. KN-70	1
(5)	G7301225	ROOF RAIL/TRACK SUPPORT KN-100 L.S.	1
(5)	G7301227	ROOF RAIL/TRACK SUPPORT KN-100 R.S.	1
(5)	G7301228	ROOF RAIL-BOW SUPPORT R.S. KN-100	1
6	G7301180	ROOF LINER	1
7	G7301181	ROOF LINER	1
8	G1126028	WINDSHIELD UPPER CORNER L	1
(8)	G1126029	WINDSHIELD UPPER CORNER R	1
9	G1126023	REAR CORNER L.H.	1
(9)	G1126024	REAR CORNER R.H.	1
10	G7301187	DRIP MOLDING L.H. KN-70	1
(10)	G7301230	DRIP MOLDING L.H. KN-100	1
(10)	G7301249	DRIP MOLDING R.H. KN-70	1
(10)	G7301250	DRIP MOLDING R.H. KN-100	1
11	G7301188	REAR TRANSOM	1
12	G7301192	DOOR TRACK	2
13	G7301229	ROOF LINER	1
14	G7301231	ROOF LINER	1
15	G7301186	TAPPING PLATE—DOOR TRACK	2
16	G7301182	CLIP ANGLE L.H. FRONT	1
(16)	G7301183	CLIP ANGLE R.H. FRONT	1
(16)	G7301184	CLIP ANGLE L.H. REAR	1
(16)	G7301185	CLIP ANGLE R.H. REAR	1
17	G7301177	ROOF RAIL/BOW SUPPORT L.S. KN-70	1
(17)	G7301226	ROOF RAIL/BOW SUPPORT L.S. KN-100	1

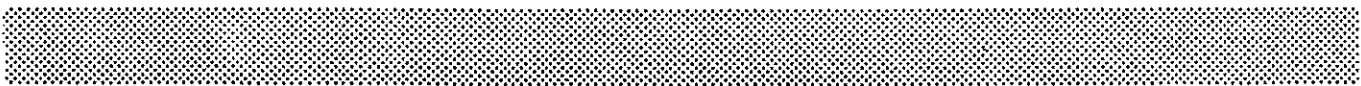
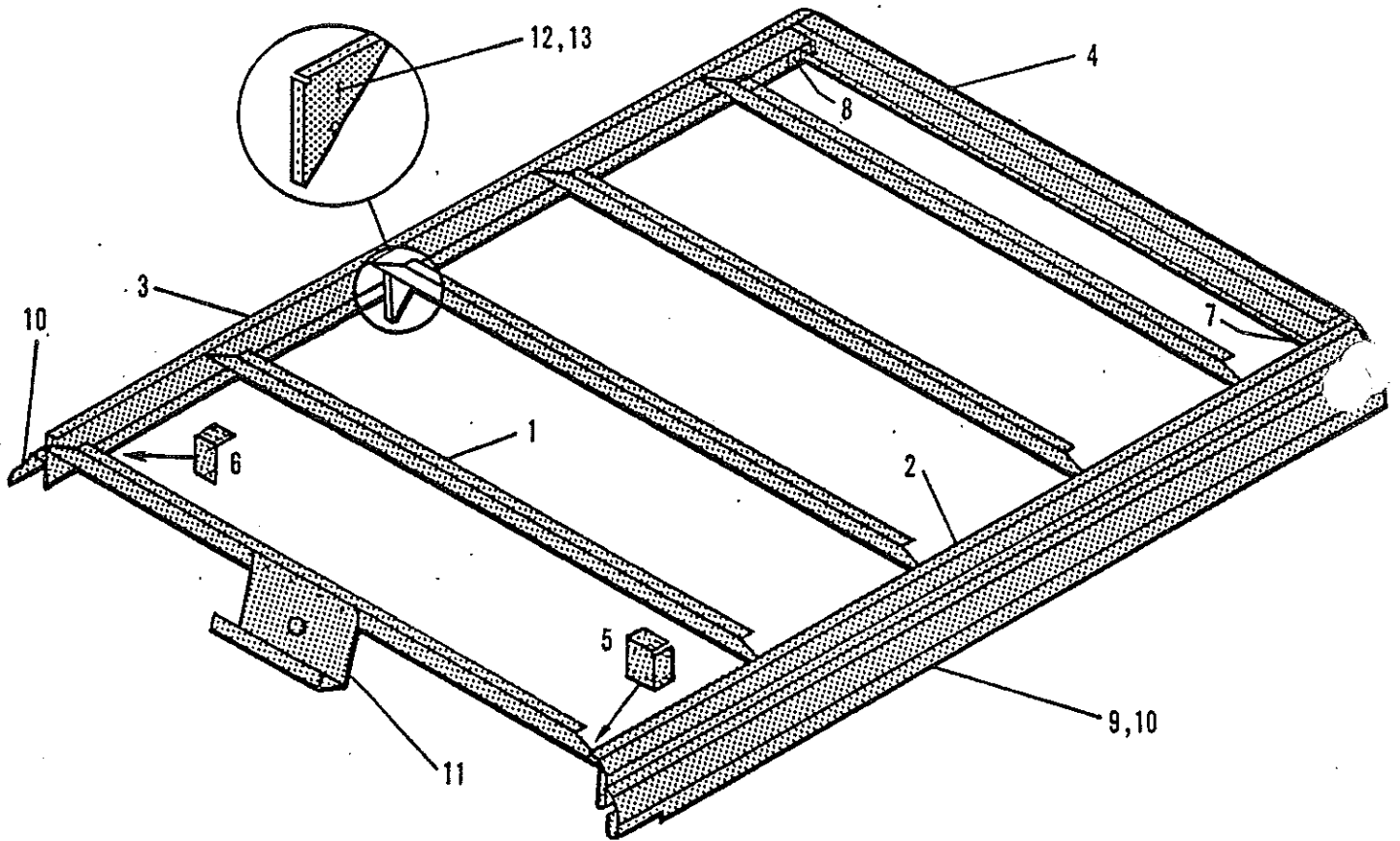
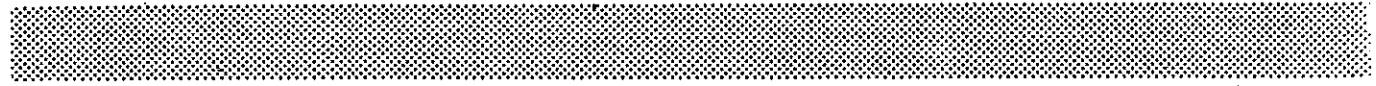


ILLUSTRATION 200

ROOF SECTION

KEY	PART NO.	DESCRIPTION	QUANTITY
1	G79210-11	CARLING	X
2	G79210-25	BOW SUPPORT LH	1
3	G79210-24	BOW SUPPORT RH	1
4	G79210-17	REAR TRANSOM	1
5	G79210-5	CLIP ANGLE LH FRONT	1
6	G79210-6	CLIP ANGLE RH FRONT	1
7	G79210-7	CLIP ANGLE LH REAR	1
8	G79210-8	CLIP ANGLE RH REAR	1
9	G79210-1C	ROOF TRACK SUBASSEMBLY	2
10	G79210-1B	ROOF TRACK SUBASSEMBLY	2
11	G82247024	WIPER MOTOR BRACKET	1
12	G82214-47	SAFETY BELT BRACKET	2
13	G82214-48	SAFETY BELT BRACKET HARDWARE	X

ILLUSTRATION 202

CAB ASSEMBLY

KEY	PART NO.	DESCRIPTION	QUANTITY
1	G82204003	CAB ASM LH DRIVE W/O VENT R.S.	1
(1)	G82204004	CAB ASM RH DRIVE W/O VENT L.S.	1
(1)	G82204014	CAB ASM LH DRIVE WITH VENT R.S.	1
(1)	G82204015	CAB ASM RH DRIVE WITH VENT L.S.	1
2	G82204010	PANEL—FRONT SKIN	1
3	G82204011	ANGLE GRILL RETAINER	2
4	G82205001	SUPT SPRING FRONT ASM LH	1
5	G82205002	SUPT SPRING FRONT ASM RH	1
6	G82206001	FIREWALL ASM LH DRIVE	1
(6)	G82206002	FIREWALL ASM RH DRIVE	1
7	G82222001	GRILLE & COVER	1
8	G5100775	BRACKET FRONT BUMPER ASM	2
9	G82220001	FRAME CAB ASM	1
10	G82207006	ANGLE—SAFETY CATCH	1
11	G82207021	COUNTER ASM REL SPRING	1
12	G82207019	RAMP HOOD SAFETY HOOK	1
13	G7206014	SKIRT CAB W/O VENT LH	1
(13)	G7206015	SKIRT CAB W/O VENT RH	1
(13)	G7206035	SKIRT CAB W/VENT LH	1
(13)	G7206036	SKIRT CAB W/VENT RH	1
14	G7206017	FRAME WINDSHIELD	1
15	G7206508	ANGLE FRONT	1
16	G7206509	ANGLE FENDER TOP	2
17	G7206200	BASE STRIKER	2
18	G1112008	STRIKER	2
19	G1126025	HOOD CORNER	2
20	G117351	RIVET	X
21	G1117353	RIVET AL STD BR	X
22	G1117355	RIVET AL STD BR	X
24	G1117359	RIVET AL STD BR	X
25	G1117361	RIVET AL STD BR	X
26	G82207001	HOOD ASM	1
27	G79631-1	VENT—SIDE	X
28	G1117101	SCREW—MACH HEX HD	X
29	G1117021	SCREW—MACH HEX HD	X
30	G1117774	SCREW—MACH FL HD	X
31	G1117731	SCREW MACH TR HD	X
33	G1117307	NUT—HEX LOCK	X
35	G1117320	NUT—HEX LOCK	X
36	G1117951	WASHER—FLAT	X
37	G1117955	WASHER—FLAT	X

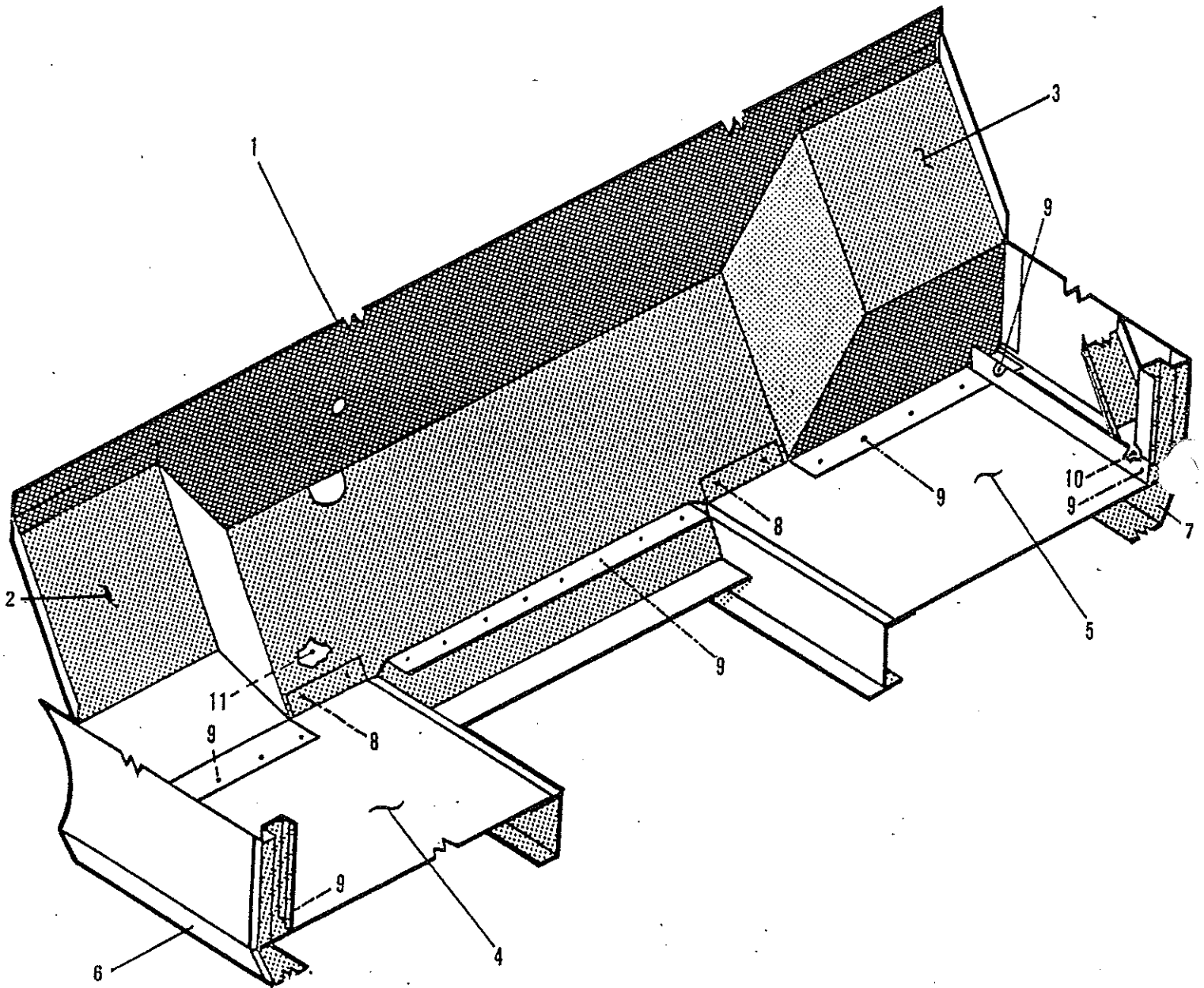
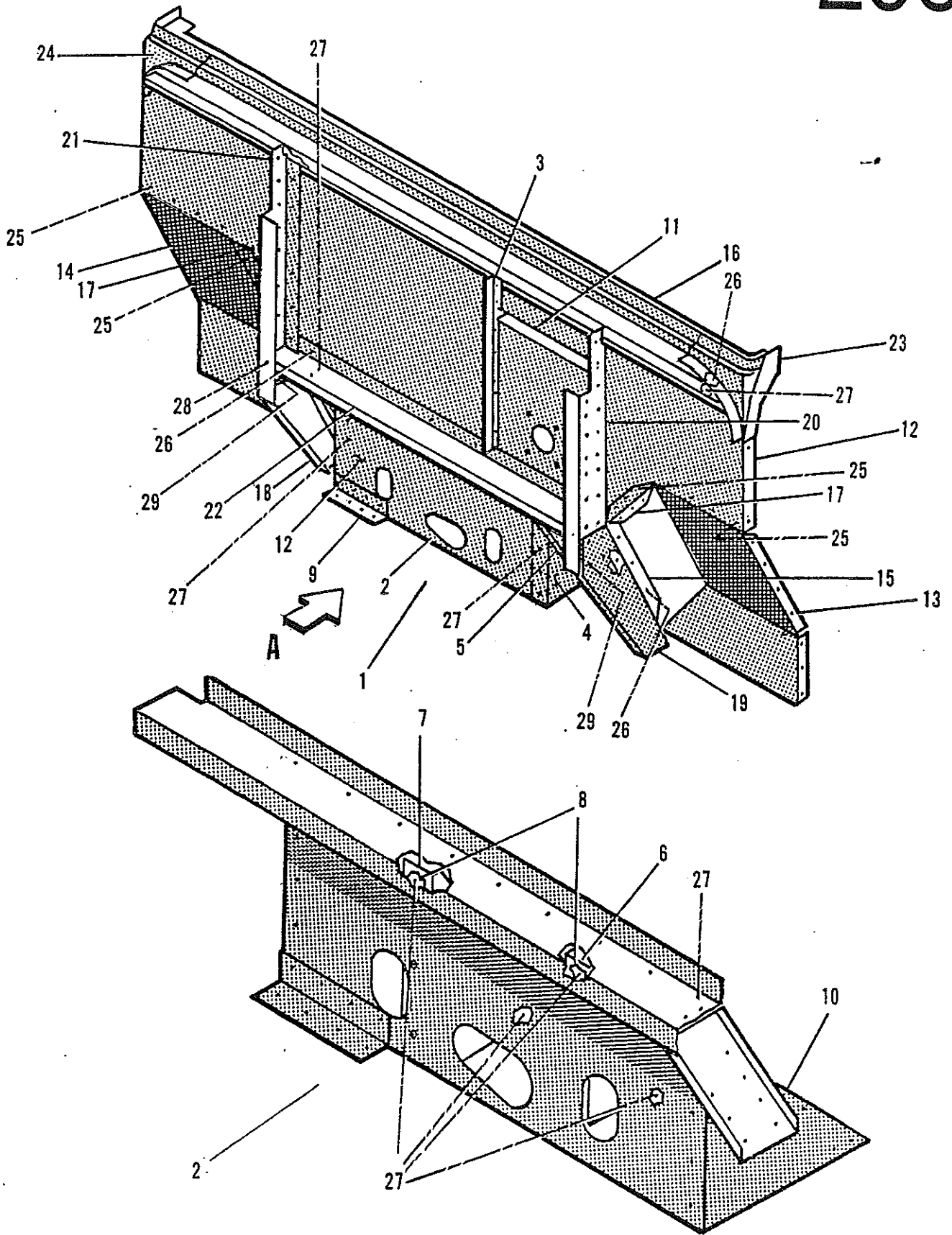


ILLUSTRATION 204

CAB ASSEMBLY

KEY	PART NO.	DESCRIPTION	QUANTITY
1	G79204-10A	FIREWALL PANEL SUB ASSY	1
2	G79204-13	LH FLOOR COVER (ALUMINUM)	1
3	G79204-14	RH FLOOR COVER (ALUMINUM)	1
4	G79230-2	LH FLOOR DECK	1
5	G79230-3	RH FLOOR DECK	1
6	G79230-91	LH SILL	1
7	G79230-92	RH SILL	1
8	G1117353	RIVET AL STD BR HD	X
9	G1117357	RIVET AL STD BR HD	X
10	G1117359	RIVET AL STD BR HD	X
11	G1117361	RIVET AL STD BR HD	X



VIEW A

ILLUSTRATION 206

FIREWALL ASSEMBLY

KEY	PART NO.	DESCRIPTION	QUANTITY
1	G82206001	FIREWALL ASM L.H. DRIVE	1
2	G82206003	SUPPORT FIREWALL ASM.	1
3	G82206-17	STIFFENER-FIREWALL VERTICAL L.H.	1
4	G82206004	GUSSET FIREWALL SUPPORT INNER LS	1
(4)	G82206005	GUSSET FIREWALL SUPPORT INNER RS	1
5	G82206006	GUSSET FIREWALL SUPPORT OUTER LS	1
(5)	G82206007	GUSSET FIREWALL SUPPORT OUTER RS	1
6	G82206008	GUSSET FIREWALL SUPPORT MIDDLE LS	1
7	G82206009	GUSSET-FIREWALL SUPPORT MIDDLE RS	1
8	G82206010	WEB-VERTICAL	1
9	G82206011	SUPPORT ANGLE FIREWALL	1
10	G82206012	CROSSMEMBER FIREWALL SUPPORT	1
11	G82206013	STIFFENER-FIREWALL L.H.	1
12	G7206071	PANEL—FIREWALL LH DRIVE	1
13	G7206072	PANEL WHEEL CLEARANCE LH	1
14	G7206073	PANEL WHEEL CLEARANCE RH	1
15	G7206083	FLANGE PLATE FIREWALL SUPPORT LH	1
(15)	G7206084	FLANGE PLATE FIREWALL SUPPORT RH	1
16	G7206085	RAIL-WINDSHIELD LOWER	1
17	G7206087	CLIP	2
18	G7206090	FIREWALL SUPPORT AFT EXTENSION RH	1
19	G7206091	FIREWALL SUPPORT AFT EXTENSION LH	1
20	G7206076	SUPPORT—FIREWALL LH	1
21	G7206077	SUPPORT FIREWALL RH	1
22	G7206082	STIFFENER FIREWALL HORIZ	1
23	G1126026	CASTING COWL END LH	1
24	G1126027	CASTING COWL END RH	1
25	G1117351	RIVET AL STD BR HD.	X
26	G1117353	RIVET AL STD BR. HD.	X
27	G1117355	RIVET AL STD BR HD.	X
28	G1117357	RIVET AL STD BR HD.	X
29	G1117037	SCREW-MACH HEX HD.	X

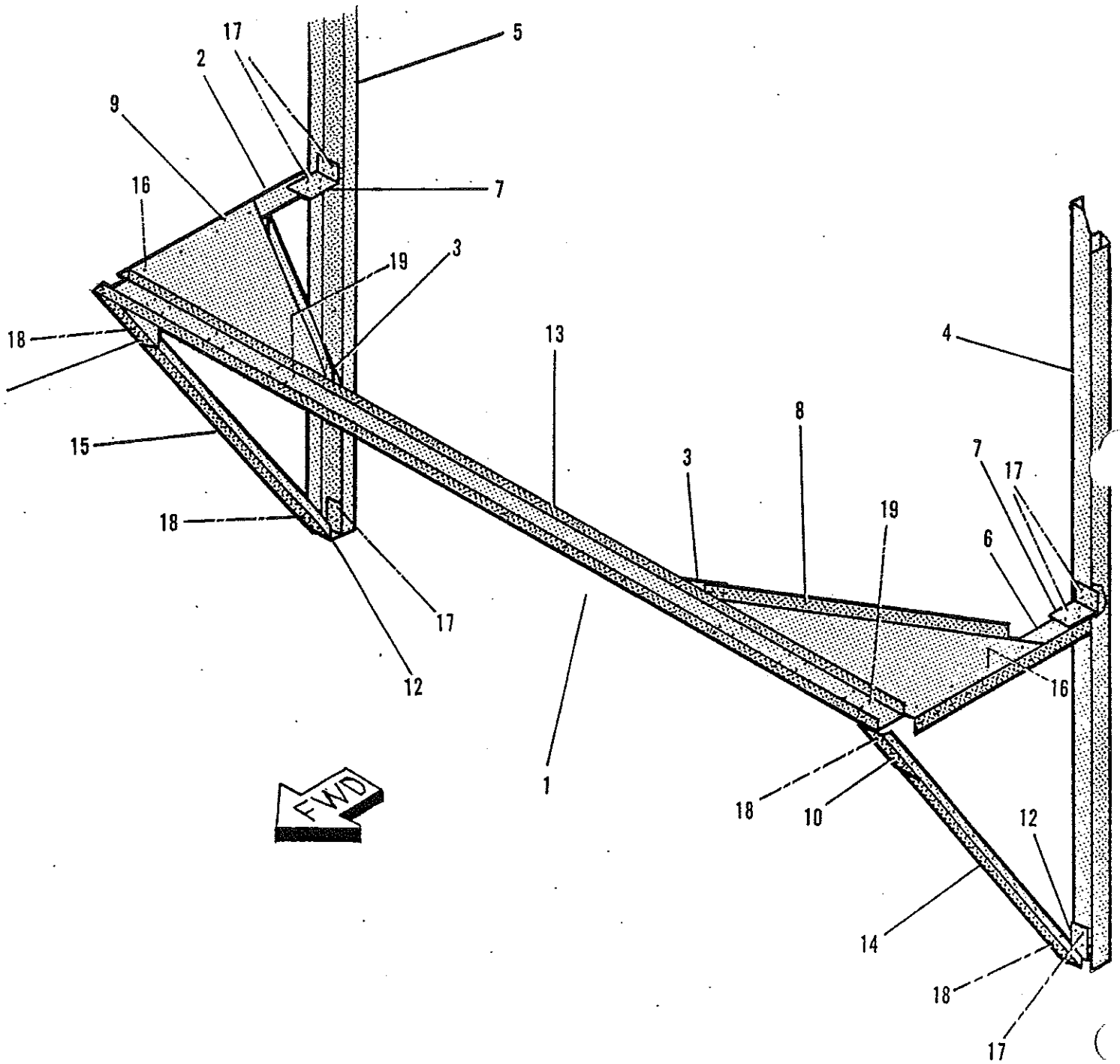


ILLUSTRATION 208
FRAME—CAB ASSEMBLY

KEY	PART NO.	DESCRIPTION	QUANTITY
1	G82220001	FRAME—CAB ASSEMBLY	1
2	G82220002	SUPPORT—ANGLE DASH RS	1
3	G82220003	CLIP—CROSSMEMBER DASH PANEL	2
4	G7206102	POST—DOOR SIDE FORWARD, L.H.	1
5	G7206103	POST—DOOR SIDE FORWARD, R.H.	1
6	G7206144	SUPPORT—ANGLE DASH L.S.	1
7	G7206145	CLIP—ANGLE DASH SUPPORT	2
8	G7206513	GUSSET L.S.	1
9	G7206514	GUSSET R.S.	1
10	G7206515	BRACE—CORNER LS	1
11	G7206516	BRACE—CORNER RS	1
12	G7206517	BRACKET	2
13	G7206510	CROSSMEMBER—DASH PANEL	1
14	G7206511	STIFFENER—SIDE SKIRT LS	1
15	G7206512	STIFFENER—SIDE SKIRT RS	1
16	G1117353	RIVET—AL. STD. BR. HD.	X
17	G1117355	RIVET—AL. STD. BR. HD.	X
18	G1117357	RIVET—AL. STD. BR. HD.	X
19	G1117359	RIVET—AL. STD. BR. HD.	X

210

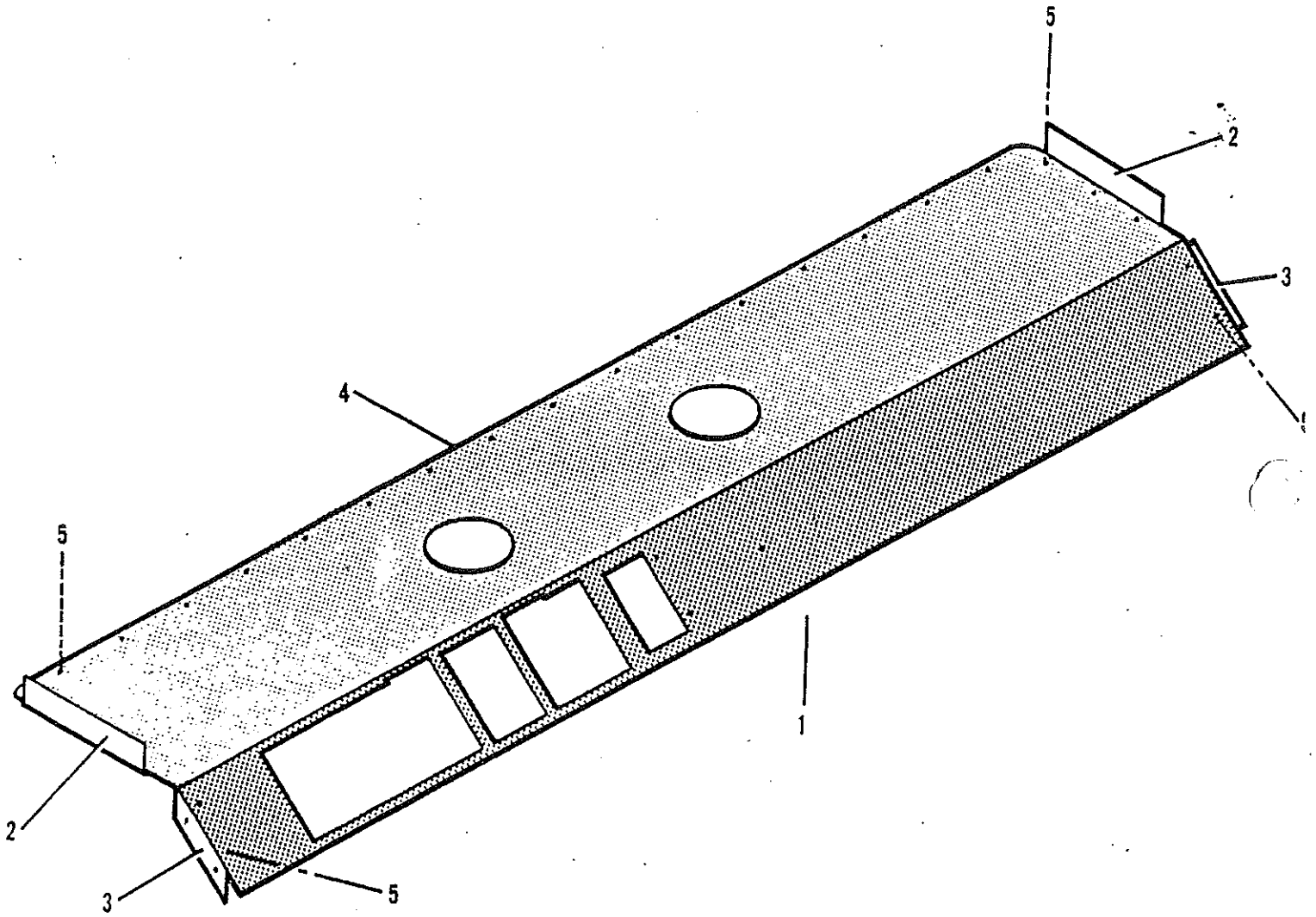


ILLUSTRATION 210

DASH ASSEMBLY

KEY	PART NO.	DESCRIPTION	QUANTITY
1	G82221001	DASH ASSEMBLY MANUAL L.H.D.	1
(1)	G82221001	DASH ASSEMBLY MANUAL R.H.D.	1
(1)	G82221003	DASH ASSEMBLY AUTO L.H.D.	1
(1)	G82221004	DASH ASSEMBLY AUTO R.H.D.	1
2	G7206142	SUPPORT—ANGLE DASH	2
3	G7206143	SUPPORT—ANGLE DASH	2
4	G82221010	PANEL DASH MANUAL L.H.D.	1
(4)	G82221011	PANEL DASH MANUAL R.H.D.	1
(4)	G82221012	PANEL DASH AUTO L.H.D.	1
(4)	G82221013	PANEL DASH AUTO R.H.D.	1
5	G1117351	RIVET—AL. STD. BR. HD.	2

212

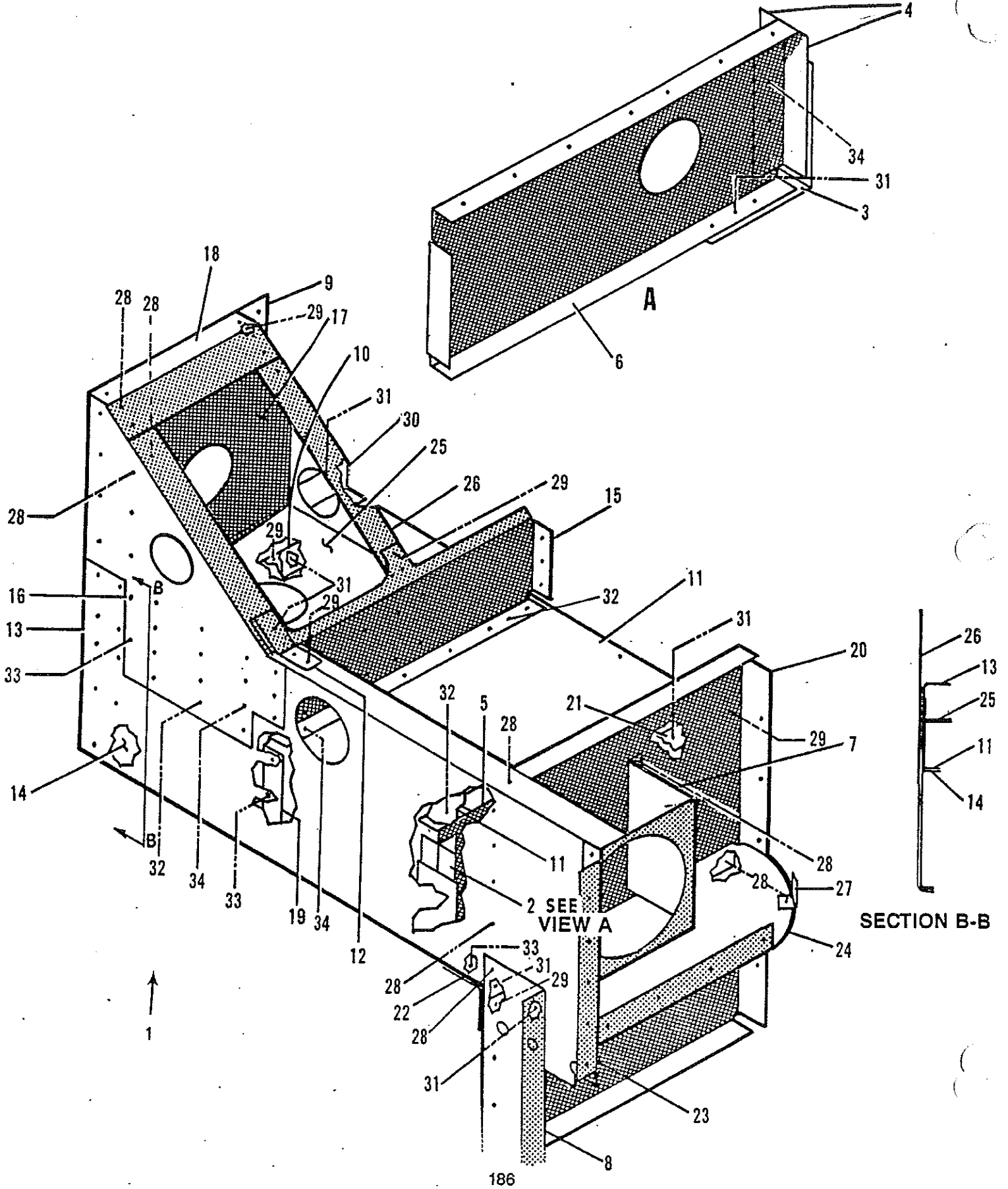


ILLUSTRATION 212

SPRING SUPPORT ASSEMBLY—LH FRONT

KEY	PART NO.	DESCRIPTION	QUANTITY
1	G82205001	SUPPORT-SPRING FRONT ASM. L.H.	1
2	G82205003	STIFFENER-SPRING SUPT FRT ASM. LH	1
3	G82205005	FILLER—ANGLE	1
4	G82205006	SUPT ANGLE VERTICAL	2
5	G82205007	FILLER STIFFENER	1
6	G82205008	STIFFENER—SPRING SUPT FRT LH	1
7	G82205015	BRACKET—HEAD LAMP	1
8	G82205016	CLIP-ANGLE FRONT LS	1
9	G82205018	CLIP-ANGLE SPRING SUPT L.H.	1
10	G82205020	ANGLE-ATTACHMENT	1
11	G7206042	PANEL—WHEEL HOUSE HDR LS	1
12	G7206044	CLIP	1
13	G7206045	SUPT SPRING BEAM VERTICAL LH	1
14	G7206047	SUPPORT—SPRING BEAM HOR. LH	1
15	G7206049	REINFORCED—WEB FORWARD LH	1
16	G7206051	GUSSET—SPRING SUPPORT INNER LH	1
17	G7206055	REINFORCED—WEB AFT LH	1
18	G7206022	ATTACHED—ANGLE—SPRING SUPPORT	1
19	G7206057	GUSSET—STIFFENER BEAM LH	1
20	G7206061	BULKHEAD—WHEEL HOUSE FORWARD LH	1
21	G7206063	ANGLE—ATTACHED WHEELBASE	1
22	G7206064	CLIP LH	1
23	G7206066	PANEL—FWD SKIN SUPT LH	1
24	G7206068	REINFORCED—WEB FWD SKIN HOR. LH	1
25	G1126030	CASTING—SHOCK STRUT. LH	1
26	G7206053	GUSSET—SPRING SUPPORT OUTER LH	1
27	G7206070	CLIP	1
28	G1117351	RIVET—AL. STD BR HD	X
29	G1117353	RIVET—AL. STD BR HD	X
30	G7206101	ANGLE—FIREWALL ATTACHED	1
31	G1117355	RIVET—AL. STD BR HD	X
32	G1117357	RIVET—AL. STD BR HD	X
33	G1117359	RIVET—AL STD. BR HD	X
34	G1117361	RIVET—AL STD. BR HD	X

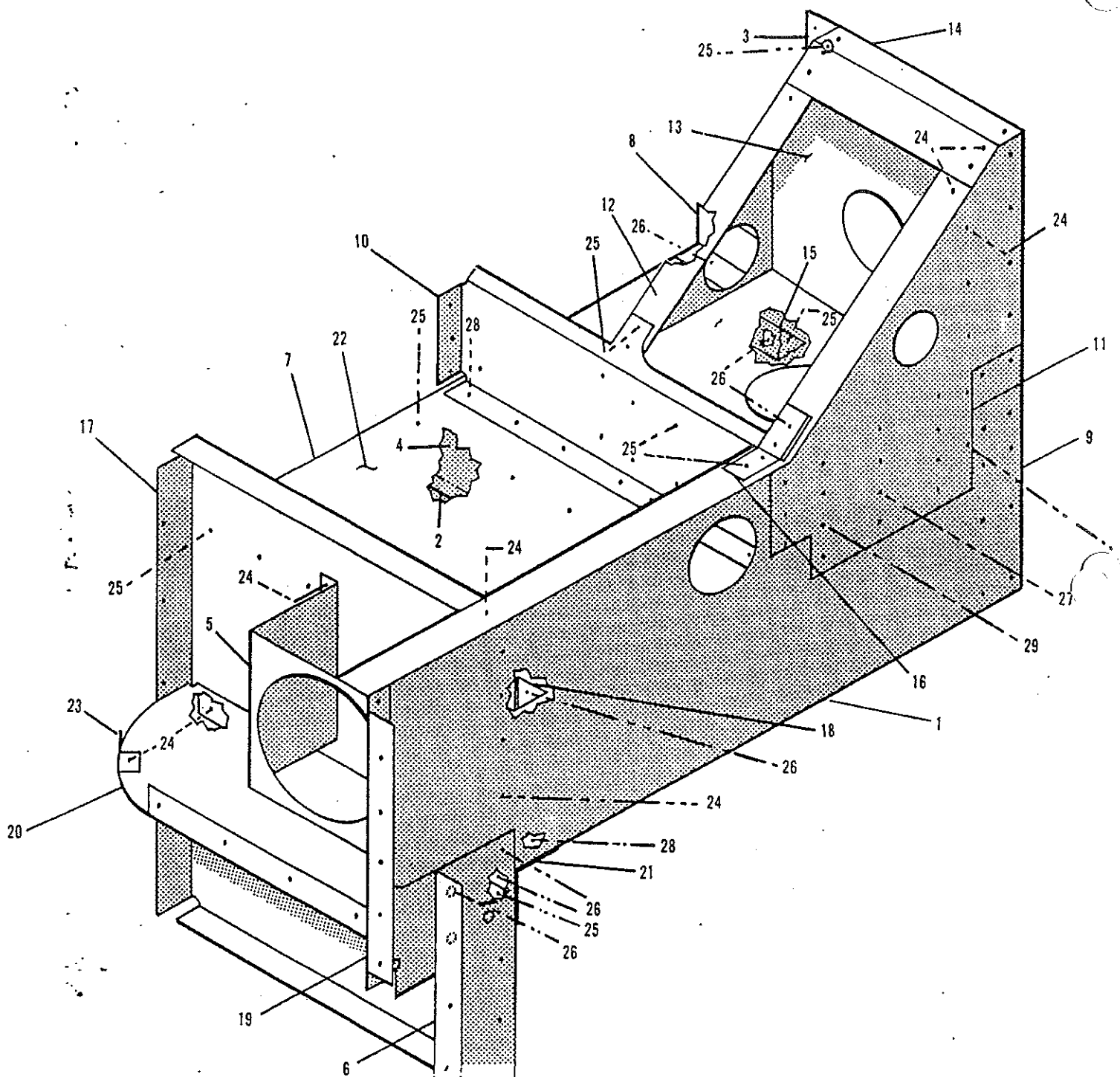


ILLUSTRATION 214

SPRING SUPPORT ASSEMBLY—RH FRONT

KEY	PART NO.	DESCRIPTION	QUANTITY
1	G82205002	SUPPORT—SPRING FRONT ASM. R.H.	1
2	G82205004	STIFFENER—SPRING SUPT FRT ASM. RH	1
3	G82205019	CLIP ANGLE SPRING SUPT LH-RH	1
4	G82205014	FILLER—STIFFENER	1
5	G82205015	BRACKET—HEAD LAMP	1
6	G82205017	CLIP—ANGLE FRONT RS	1
7	G7206043	PANEL—WHEEL HOUSE HDR RS	1
8	G7206101	ANGLE—FIREWALL ATTACHED	1
9	G7206046	SUPPORT—SPRING BEAM VERTICAL RH	1
10	G7206050	REINFORCED—WEB FORWARD RH	1
11	G7206052	GUSSET—SPRING SUPPORT INNER RH	1
12	G7206054	GUSSET—SPRING SUPPORT OUTER RH	1
13	G7206056	REINFORCED—WEB AFT RH	1
14	G7206022	ATTACHED—ANGLE—SPRING SUPPORT	1
15	G7206100	ANGLE—ATTACHMENT	1
16	G7206044	CLIP	1
17	G7206062	BULKHEAD—WHEEL HOUSE FORWARD RH	1
18	G7206063	ANGLE—ATTACHED WHEELBASE	1
19	G7206067	PANEL—FWD SKIN SUPT RH	1
20	G7206069	REINFORCED—WEB FWD SKIN HOR. RH	1
21	G7206065	CLIP—RH	1
22	G1126031	CASTING—SHOCK STRUT. RH	1
23	G7206070	CLIP	1
24	G1117351	RIVET—AL. STD BR HD	X
25	G1117353	RIVET—AL. STD BR HD	X
26	G1117355	RIVET—AL. STD BR HD	X
27	G1117357	RIVET—AL. STD BR HD	X
28	G1117359	RIVET—AL STD. BR HD	X
29	G1117361	RIVET—AL STD. BR HD	X

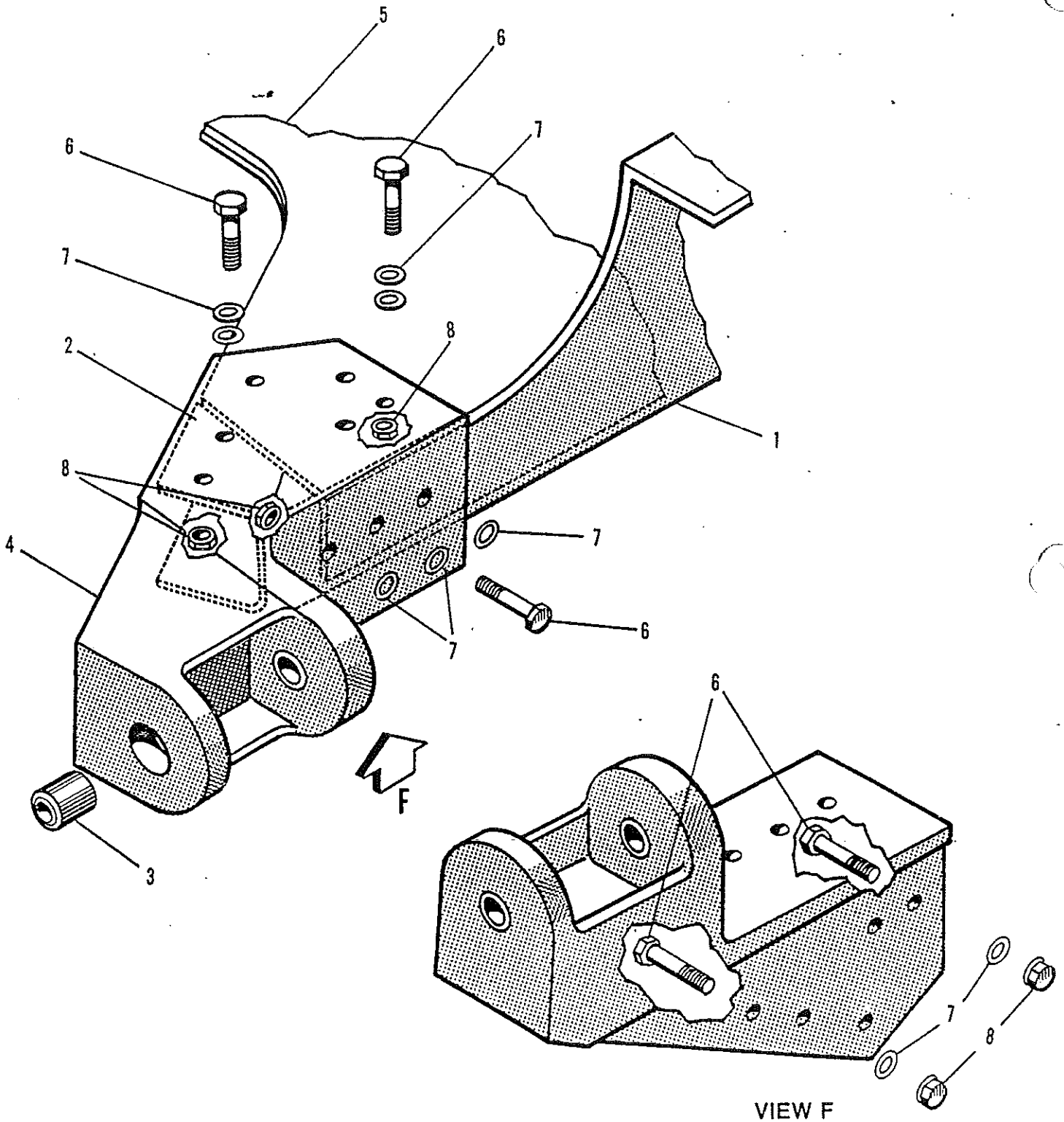


ILLUSTRATION 216
CONTROL ARM PIVOT

KEY	PART NO.	DESCRIPTION	QUANTITY
1	G82212011	BEAM—TRACK LH	1
(1)	G82212012	BEAM—TRACK RH	1
2	G82212013	SUPT.—CONTROL ARM—PIVOT LH FRNT LOWER LH	1
(2)	G82212014	SUPT.—CONTROL ARM—PIVOT RH FRNT LOWER RH	1
3	G82212042	BUSHING—CONTROL ARM	2
4	G82212043	CASTING—CONTROL ARM PIVOT FRONT LH	1
(4)	G82212044	CASTING—CONTROL ARM PIVOT FRONT RH	1
5	G82212045	SUPT.—CONTROL ARM—PIVOT FRT. UPPER LH	1
(5)	G82212046	SUPT.—CONTROL ARM—PIVOT FRT. UPPER RH	1
6	G1103106	BOLT, HEX HD	X
7	G1103104	WASHER, FLAT	X
8	G1103105	NUT, HEX	X